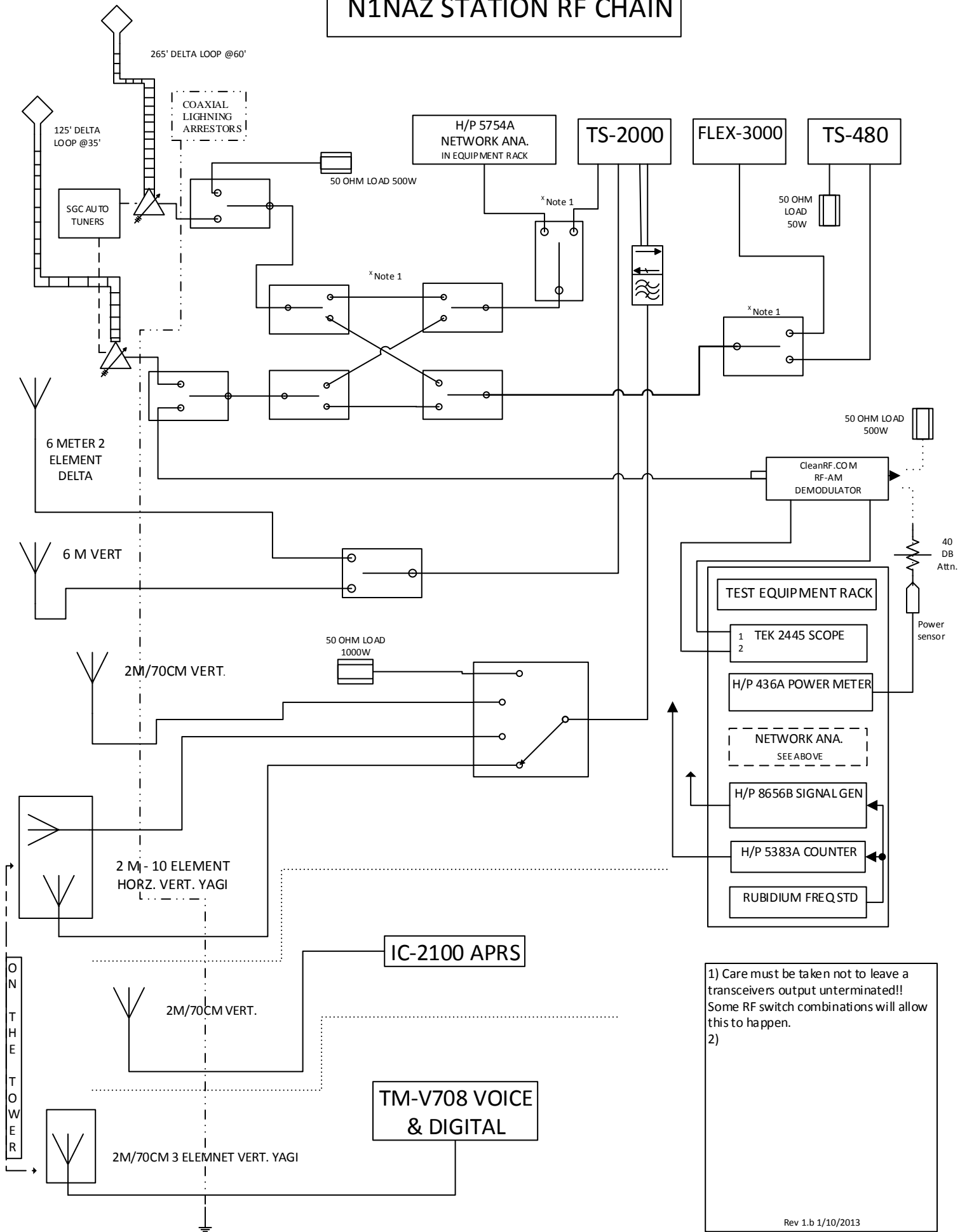


N1NAZ STATION RF CHAIN



1) Care must be taken not to leave a transceivers output unterminated!! Some RF switch combinations will allow this to happen.
2)